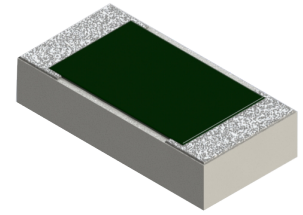


RM1206CB-1000JN-98 Features:

- Top Terminals w/ Isolated Backplane
- Solderable Terminals
- Nickel Barrier
- Customer Defined Testing Available
- Tape & Reel or Waffle Pack Available (Standard is bulk)
- 5% Resistor Tolerance

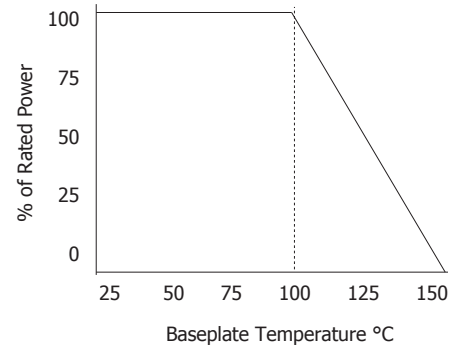


RM1206CB-1000JN-98 Parameters:

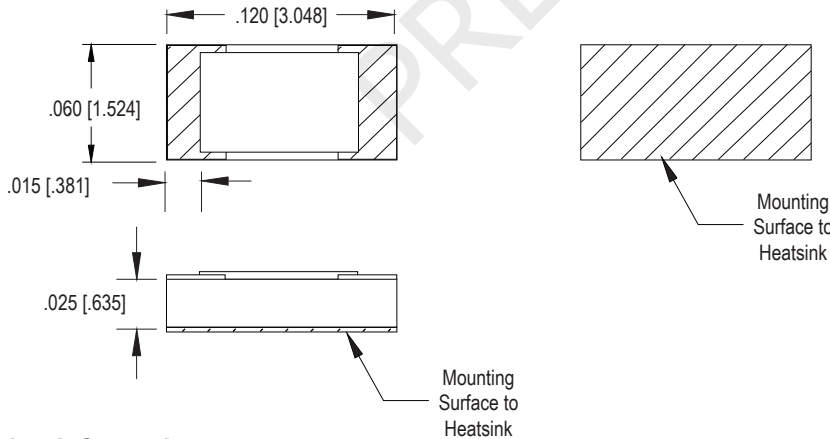
Resistance Range:	100Ω ± 5%
Rated Power:	20W*
TCR:	200 PPM
Construction:	Thick Film on BeO
Operating Temperature:	-55 to +150°C

* Rating based on ≤100°C constant baseplate temperature

RM1206CB-1000JN-98 Power Derating Curve



RM1206CB-1000JN-98 Dimensions:



Dimensions in inches [mm]
Tolerance is ± 0.010 [0.254]
unless otherwise stated

Ordering Information:

RM	1206	CB	-	1000	J	N	-	98	UU
Prefix for Resistor w/ Top Terminals & Isolated Backpad				Value Code 1000 - 100Ω	Tolerance J - 5%	Normal Inspection Contact factory for additional options		Substrate 98 - 0.025" BeO	Packaging Blank - Bulk TR - Tape and Reel WP - Waffle Pack
Size 1206									
Terminal Metallization CB - Tin Lead over Nickel over Silver				RoHS No	Magnetic Yes	Solder Yes		Epoxy No	Wirebond No

Barry Industries reserves the right to change part number and/or process without notification.



ORIG.	REV.	No.
JAN 5 2015	-	-